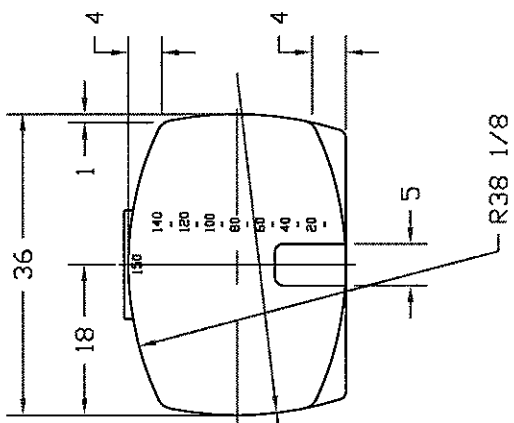
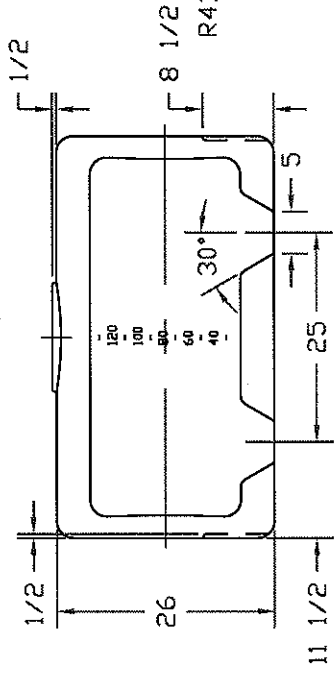
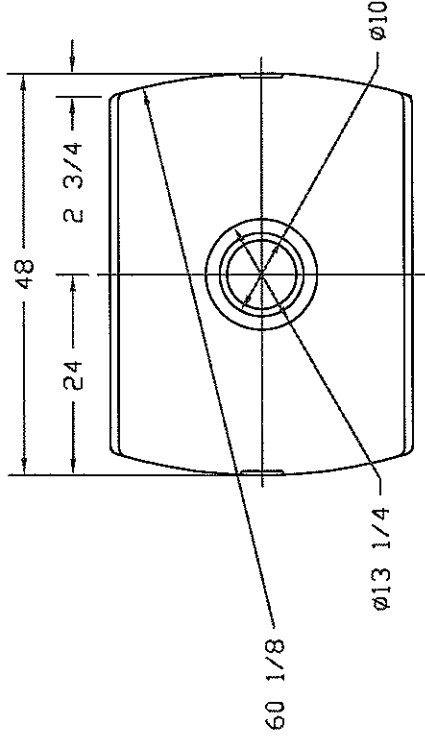


REVISIONS			
ZONE	REV	DESCRIPTION	DATE



- 25 9/16
- 22 7/8
- 20 5/16
- 19 13/16
- 17 3/4
- 15 1/4
- 13 1/4
- 11 1/4
- 9 1/4
- 7 1/4
- 5 3/4
- 4 1/2
- 3 1/2
- 2 1/2
- 0

**NORWESCO**  
ST. BONIFACIUS, MN

150 GALLON PCD TANK

JTP	20DEC95	SIZE B	FSCM NO.	DWG NO.	REV
SCALE 1/16				SHEET	